

CHUPHOTIC JUPITER TD

Performance Power Solutions

JUPITER TD From 10 kVA to 250 kVA



3Phase True Online Double Conversion
 UPS DSP Low Frequency with Isolated
 Transformer



มอก.1291
 เต็ม 1-2553
 เต็ม 2-2553
 เต็ม 3-2555



www.chuphotic.com



The Performance UPS

Jupiter TD on line intelligent digital UPS congregates the essence of technology and entirely broke the bottleneck technology in traditional simulation circuit era. It adopt the DSP control technology, big power IGBT and static switch as power components. Guided by these most advanced technologies in the world, It is really the first class product. Jupiter Plus UPS is large power. The capacity can be from 10kVA-250kVA.

Advance Fully DSP Control

The inverter control, synchronization phase, input rectifier control, Logic control of the UPS all adopt DSP digital control. The UPS with high precision, fast speed,comprehension performance and high reliability.

Intelligent Parallel Technology

With high parallel ability, can be freely parallel up to 6 pcs. Geminately improve the output power. Each parallel until independence, no host and subordinate requirement, each unit can be the main unit, to make sure the parallel easily achieve.

N+1 in Parallel can be with Common Battery Bank

In the real application parallel system, the traditional UPS must use separate battery and battery bank. The traditional configuration not only add the cost also make the system unreliable. Our new generation DSP. The N+1, N+1 in parallel can be with common battery bank. Highly improve the system reliability , saving the cost

LCD Design with LED Indicator

Large screen colorized LCD design, easily operation, very convenience for daily management and maintenance. Can timely display the UPS operation parameter the working status. The inner CPU can make record and alarm.

Flexible Working Operation Selection

Jupiter TD UPS with three working mode UPS, EPS and ECO mode. The use can setting the work mode through the touch screen directly. Energy saving design. Beside keep the traditional UPS functions, Jupiter TD UPS with ECO operation. In the energy saving mode working.

Application

- Industrial and Commercial tax affair
- Financial and Securities
- Industrial Equipment
- Medical & Health equipments
- Large Internet Computer Room
- Postal & Telecommunications
- Energy & Electricity
- Hospital, Medical Lab.
- Data Center & Server Room

Features

- True Online Double Conversion UPS with IGBT design
- DSP Low Frequency, High Reliability Performance
- 3 Phase UPS allow 100% Unbalance Load
- Advance PCB SMD Technology
- IGBT Inverter and Output Isolated Transformer Design
- Wide Input Voltage Range
- DC Cold Start Function
- Advance Battery Charging Management
- Intelligent Fan Speed Control
- ECO Mode Function
- Intelligent RS232/RS485 Communication Port
- SNMP Adapter (optional)
- EPO Function
- Advance no-master-slave parallel Technology
- Intelligent Battery Monitor System – MMBM (optional)
- 12 Pluse Rectifier (optional)
- Bypass Isolation Transformer (optional)
- Parallel Redundancy N+X Function (optional)



Intelligent Detecting System Completely Guard

This system the microprocessor can continuously on line detect the power status, the breaker status and all the circuit working status. When failure happen, the detecting system will immediately inform the operator and synchronized start the UPS completely protection function.

Intelligent Battery Management

Jupiter series UPS adopt the intelligent battery management system. Can be automatically adjust the battery charge current parameter according to the battery configuration, also can be reach boost and float charge transfer, the temperature compensation and battery discharge management. Beside this Jupiter can detect the battery operation management through the monitor interface to make sure the battery high efficiency operation. The intelligent battery management not only reduces the operator's work force also prolong the battery life time more then 55%.

Intelligent Fan Speed Control

Fan can adjust rotate speed in accordance with the loading Status to prolong fans life and lower noise.

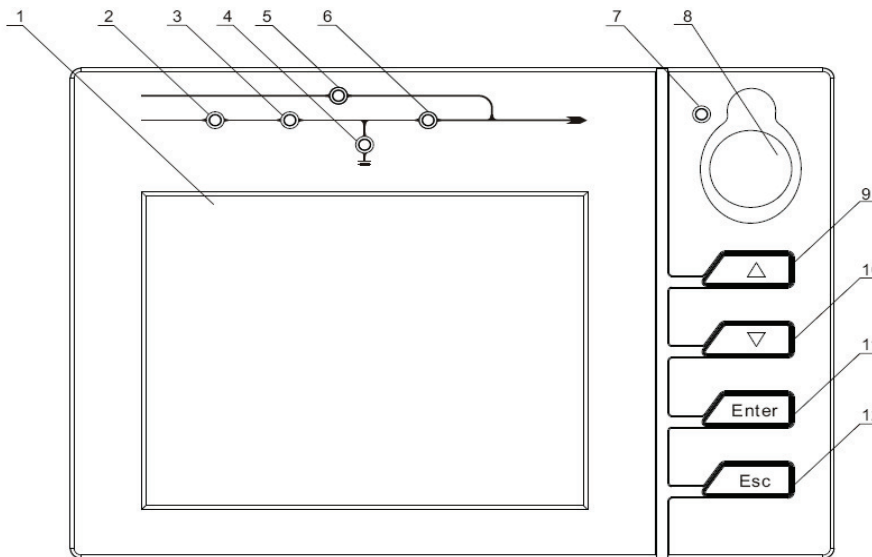
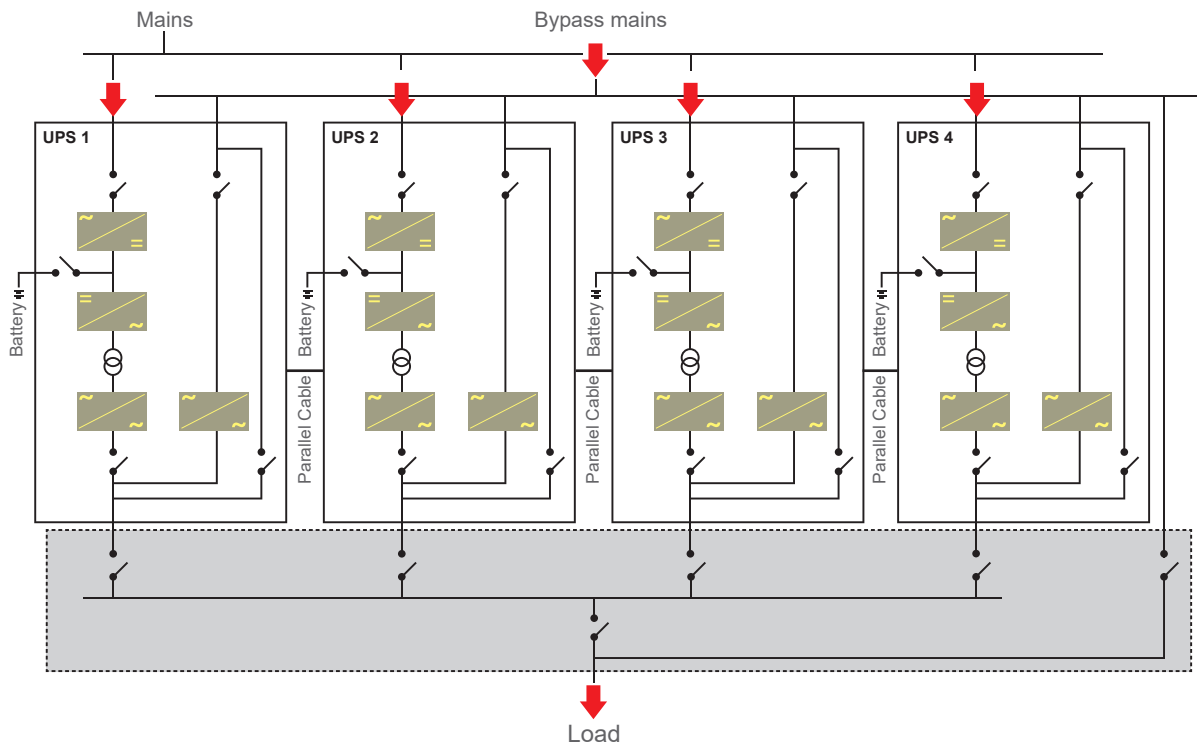
Manual Bypass Maintenance Design

Design bypass maintenance channel to assure the maintenance on machine without load power break.

Perfect Protection

It has output over-low load protection, Input surge protection, phase sequence protection, battery over charge-discharge protection, short circuit protection, over temperature protection and so on, as well as alarming function.

UPS Redundancy Parallel



Panel Introduction

- 1. LCD screen
- 2. Line LED
- 3. Rectifier LED
- 4. Battery LED
- 5. Bypass LED
- 6. Inverter LED
- 7. Fault LED
- 8. Emergency Power Off (EPO)
- 9. UP
- 10. Down
- 11. Enter
- 12. Esc

LCD Panel

JUPITER TD Three phase in-Three phase out

Model	TD3310	TD3315	TD3320	TD3330	TD3340	TD3350	TD3360
Power Rating	10kVA	15kVA	20kVA	30kVA	40kVA	50kVA	60kVA
	9kW	13.5kW	18kW	27kW	36kW	45kW	54kW
Technology	True On-line Double Conversion with Isolated Transformer						
Input Power Factor	High Power Factor Corrector PFC >0.83						
Rectifier Type	6 Pulse (12 Pulse with EMI-Filter option)						
INPUT SYSTEM							
Phase	3 phase 4 wire + PE (3 phase 4 wire + PE option)						
Voltage	L-N/L-L : 220/380VAC ±25% (200/346, 208/360, 230/400, 240/415 option)						
Frequency	50Hz ± 8% (46-54)						
Soft Start	0~100% 10sec						
BYPASS SYSTEM							
Phase	3 phase 4 wire + PE (3 phase 4 wire + PE option)						
Voltage	L-N/L-L : 220/380VAC ±10% (200/346, 208/360, 230/400, 240/415 option)						
Transfer Time	0ms : Zero Transfer						
CHARGER SYSTEM							
Charge Mode	384Vdc : Tri-State Charge (Buck, Boost, Float)						
Float Voltage	384Vdc : 432-441.6VDC						
Boost Voltage	384Vdc : 454.4-464VDC						
Battery Charge Current	10-25A setting						
OUTPUT SYSTEM							
Phase	3 phase 4 wire + PE (3 phase 4 wire + PE option)						
Voltage	L-N/L-L : 220/380VAC ±1% (200/346, 208/360, 230/400, 240/415 option)						
Frequency	50Hz/60Hz <±0.1% (Battery Mode)						
Wave Form	Pure Sine Wave						
Unbalance Load Voltage	<2%, compatible 100% unbalance						
Total Harmonic Distortion	THDv : <3% at Full Load (Linear Load), <8% at Full Load (Non Linear Load)						
Efficiency AC/AC, DC/AC	≥76%, ≥80%	≥82%, ≥86%				≥90%, ≥90%	
Transfer Time	0ms : Zero Transfer						
Power Factor	PF 0.9 (PF 1.0 Option)						
Overload Capacity	105% Load for continuous, 125% Load for 2 mins, 150% Load for 30 sec						
BATTERY							
Battery Type	AGM / SLA : Sealed Lead Acid (Maintenance Free) Battery (Option : UL94-V0)						
Battery Capacity	External Battery Unit						
Battery Voltage	384VDC / 32Pcs						
Battery Self-testing	Automatically Alarm and Estimate Battery in battery abnormal status						
PROTECTION SYSTEM							
Input Protection	Input Voltage / Frequency Over limited, Wrong phase, Lack phase						
Output Protection	Over Current, Short Circuit, Output Over / Under Voltage						
Battery Protectio	Over Charge, Over-Discharge Protection						
Temperature Protection	Ambient over- temperature protection, Inverter over- temperature protection						
Maintenance Bypass	MCB Bypass						
Alarm	Overload, Abnormal AC input, Low battery, UPS Failure						
INDICATOR							
LED/LCD Display	AC mains, Inverter, Output, Battery, Rectifier, Bypass, Maintenance, Phase, Load , Fault						
COMMUNICATION							
Intelligent Port	RS232/RS485 and Dry Contacts. (MODBUS and SNMP adapter are optional)						
ENVIRONMENT							
Audible Noise	≤ 55 dB						
Temperature	0~40 °C						
Humidity	0~95% (Non Condensing)						
STANDARD							
Safety /EMC /Performance	TIS.1291 : Part1-2553, Part2-2553, Part3-2555, C3 / CE : IEC62040-1, -2, -3, IEC55022, IEC61000						
Manufacturer QMS	ISO9001 : 2015 / ISO14001 : 2015						
Dimension (WxDxH) mm.	455x830x1045		455x830x1045		500x830x1045		700x800x1600
Weight (Kg.)	323	353	373	393	450	470	490

• All specification subject to change without notice

Chuphotic.BRO-52.UPS.JUPITER TD.Rev1.00/2020

JUPITER TD Three phase in-Three phase out

Model	TD3380	TD33100	TD33120	TD33160	TD33200	TD33250
CAPACITY	80kVA	100kVA	120kVA	160kVA	200kVA	250kVA
	72kW	90kW	108kW	144kW	180kW	225kW
Technology	True On-line Double Conversion with Isolated Transformer					
Input Power Factor	High Power Factor Corrector PFC >0.83					
Rectifier Type	6 Pulse (12 Pulse with EMI-Filter option)					
INPUT SYSTEM						
Phase	3 phase 4 wire + PE (3 phase 4 wire + PE option)					
Voltage	L-N/L-L : 220/380VAC ±25% (200/346, 208/360, 230/400, 240/415 option)					
Frequency	50Hz ± 8% (46-54)					
Soft Start	0~100% 10sec					
BYPASS SYSTEM						
Phase	3 phase 4 wire + PE (3 phase 4 wire + PE option)					
Voltage	L-N/L-L : 220/380VAC ±10% (200/346, 208/360, 230/400, 240/415 option)					
Transfer Time	0ms : Zero Transfer					
CHARGER SYSTEM						
Charge Mode	384Vdc : Tri-State Charge (Buck,Boost,Float)					
Float Voltage	384Vdc : 432-441.6Vdc					
Boost Voltage	384Vdc : 454.4-464Vdc					
Battery Charge Current	10-25A setting					
OUTPUT SYSTEM						
Phase	3 phase 4 wire + PE (3 phase 4 wire + PE option)					
Voltage	L-N/ L-L : 220/380VAC ±1% (200/346, 208/360, 230/400, 240/415 option)					
Frequency	50Hz/60Hz<±0.1% (Battery Mode)					
Wave Form	Pure Sine Wave					
Unbalance Load Voltage	≤2%, compatible 100% unbalance					
Total Harmonic Distortion	THDv : <3% at Full Load (Linear Load), <8% at Full Load (Non Linear Load)					
Efficiency AC/AC, DC/AC	≥90, ≥92%					
Transfer Time	0ms : Zero Transfer					
Power Factor	PF 0.8 (PF 1.0 Option)					
Overload Capacity	105% Load for continuous, 125% Load for 2 mins, 150% Load for 30 sec					
BATTERY						
Battery Type	AGM / SLA : Sealed Lead Acid (Maintenance Free) Battery (Option : UL94-V0)					
Battery Capacity	External Battery Unit					
Battery Voltage	384Vdc : 32Pcs					
Battery Self-testing	Automatically Alarm and Estimate Battery in battery abnormal status					
PROTECTION SYSTEM						
Input Protection	Input Voltage / Frequency Over limited, Wrong phase, Lack phase					
Output Protection	Over Current, Short Circuit, Output Over / Under Voltage					
Battery Protectio	Over Charge, Over-Discharge Protection					
Temperature Protection	Ambient over- temperature protection, Inverter over- temperature protection					
Maintenance Bypass	MCB Bypass					
Alarm	Overload, Abnormal AC input, Low battery, UPS Failure					
INDICATOR						
LED/LCD Display	AC mains, Inverter, Output, Battery, Rectifier, Bypass, Maintenance, Phase, Load , Fault					
COMMUNICATION						
Intelligent Port	RS232 / RS485 and Dry Contacts. (MODBUS and SNMP adapter are optional)					
ENVIRONMENT						
Audible Noise	≤ 75 dB					
Temperature	0~40 °C					
Humidity	0~95% (Non Condensing)					
STANDARD						
Safety / EMC / Performance	TIS.1291 : Part1-2553, Part2-2553, Part3-2555, C3 / CE : IEC62040-1, -2, -3, IEC55022, IEC61000					
Manufacturer QMS	ISO9001 : 2015 / ISO14001 : 2015					
Dimension (WxDxH) mm.	700x800x1600	900x870x1870		1600x1000x1800		
Weight (Kg.)	690	725	775	905	1190	1300

* All specification subject to change without notice

Chuphotic.BRO-52.UPS.JUPITER TD.Rev1.00/2020

