

Solar TGEL Battery

Solar Series

Combining the newly developed Nano Gel electrolyte and high density positive plate paste, Chuphotic Solar series Valve Regulated Lead Acid batteries offers high daily cycle life and high recharge efficiency at the very low charge current. The acid stratification is highly depressed by adding of Gel electrolyte. This range battery is highly suited to energy storage for renewable energy such as PV and Wind Turbine power systems applications.

Application

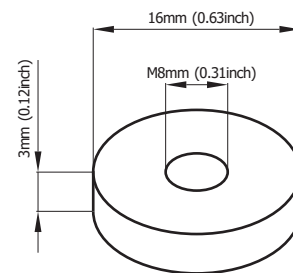
- Photovoltaic System : PV Solar
- Renewable Energy System : ESS
- Electric Utility Application
- Outdoor control Application
- Railroad Utility Application

General Features

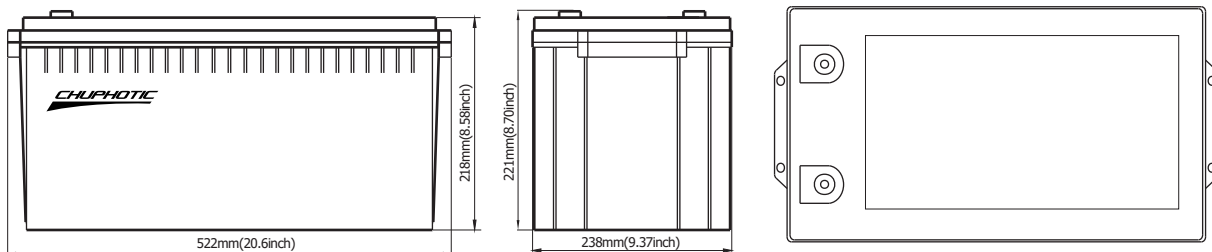
- 12 years float life at 20°C
- Up to 5 years design life at Renewable Energy applications
- Wide operating temperature range of -15 to 60°C
- Nano Gel electrolyte eliminate the acid stratification and prolong cycle life
- Round trip efficiency as high as 85%
- Thick positive flat plate with high density paste
- Low self-discharge rate and long shelf life(1 year at 25°C)
- Excellent deep discharge recovery capability

Construction

- ComponentRaw material
- PositiveLead dioxide
- NegativeLead
- ContainerABS
- CoverABS
- SealantEpoxy Resin
- Safety valveEPDR
- TerminalCopper
- SeparatorAGM
- ElectrolyteHybrid Gel

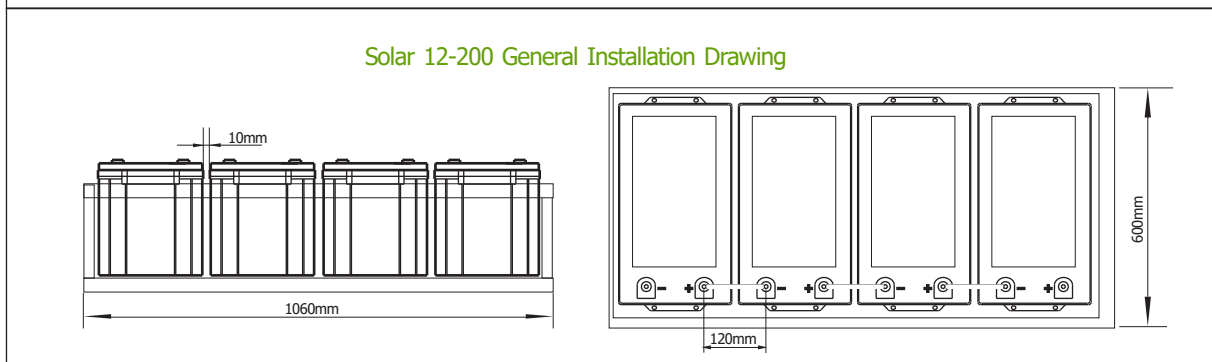
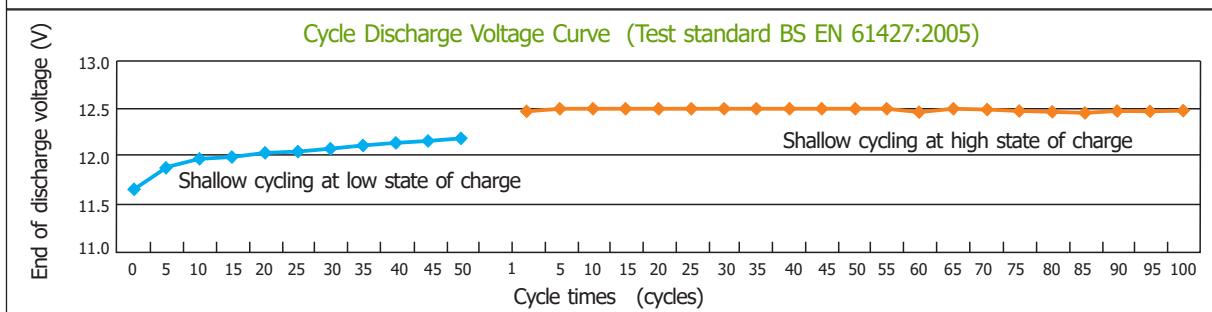
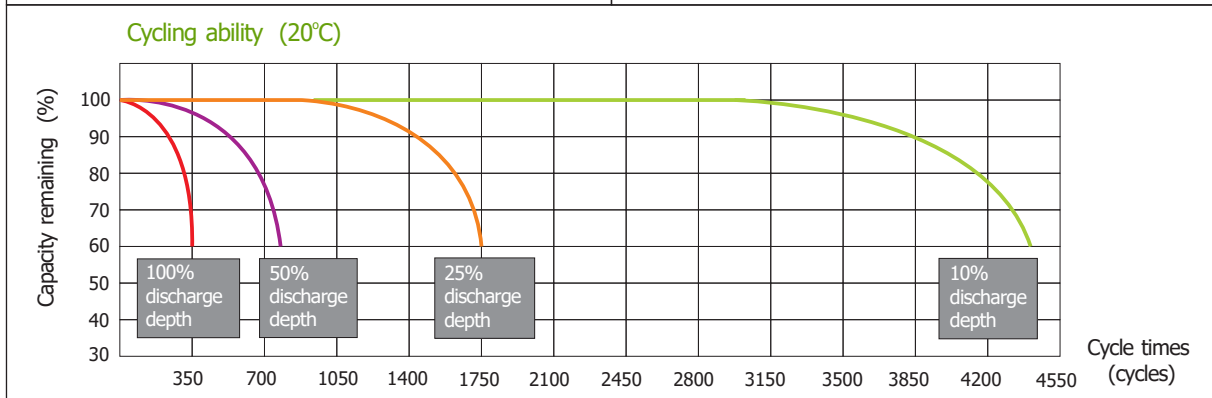
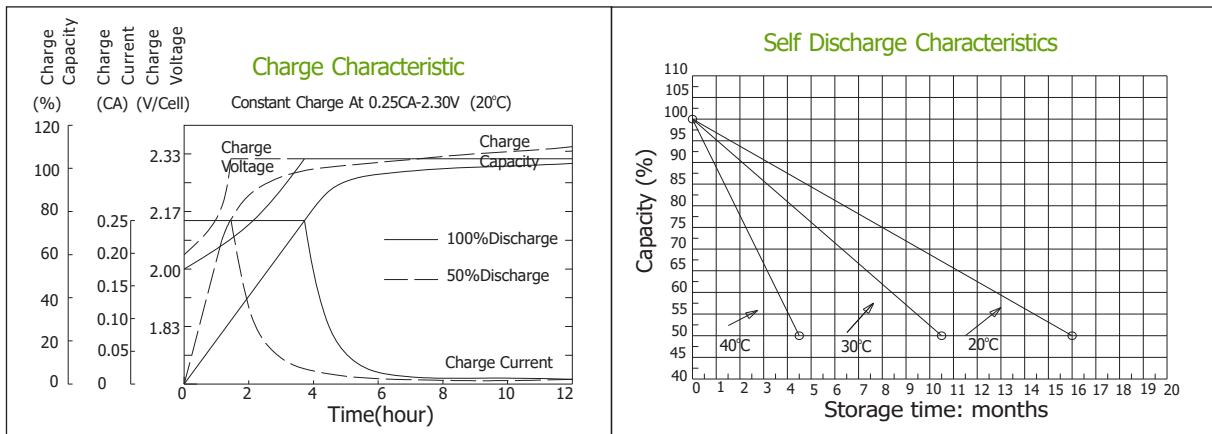


Terminal Dimensions



Battery Model	Solar 12-200 (12V 200Ah)			
Designed Floating Life	12 Years			
Designed Cycle Life	5 Years			
Capacity(20 C) °	10HR(20A,1.80V)	24HR(8.92A,1.80V)	48HR(4.67A,1.80V)	100HR(2.4A,1.80V)
	200AH	214AH	224AH	240AH
Dimensions	Length	Width	Height	Total Height
	522mm(20.6inch)	238mm(9.37inch)	218mm(8.58inch)	221mm(8.70inch)
Approx. Weight	62Kg (137 lbs)			
Internal Resistance	Full charged at 20°C: 0.003 Ohm			
Self Discharge	3% of capacity declined per month at (20°C)			
Capacity Affected by Temp.(20HR)	40°C	20°C	0°C	-15°C
	102%	100%	85%	65%
Charge Voltage(20 C)	Cycle use		Float use	
	14.4-14.8V(-30mV/ °C), max. Current: 50A		13.6-13.8V(-20mV/ °C)	

Solar TGL Battery



*All above specification may be change without prior notice.

CH.BRO-07.BAT.Solar 12-200.Rev1.00/2020

Constant current discharge ratings-amperes at 20°C

TIME	1HR	3HR	5HR	10HR	24HR	48HR	72HR	100HR	120HR
CUT-OFF VOLTAGE	1.80	1.80	1.80	1.80	1.80	1.80	1.80	1.80	1.80
CAPACITY(AH)	130	150	171	200	214	224	233	240	243